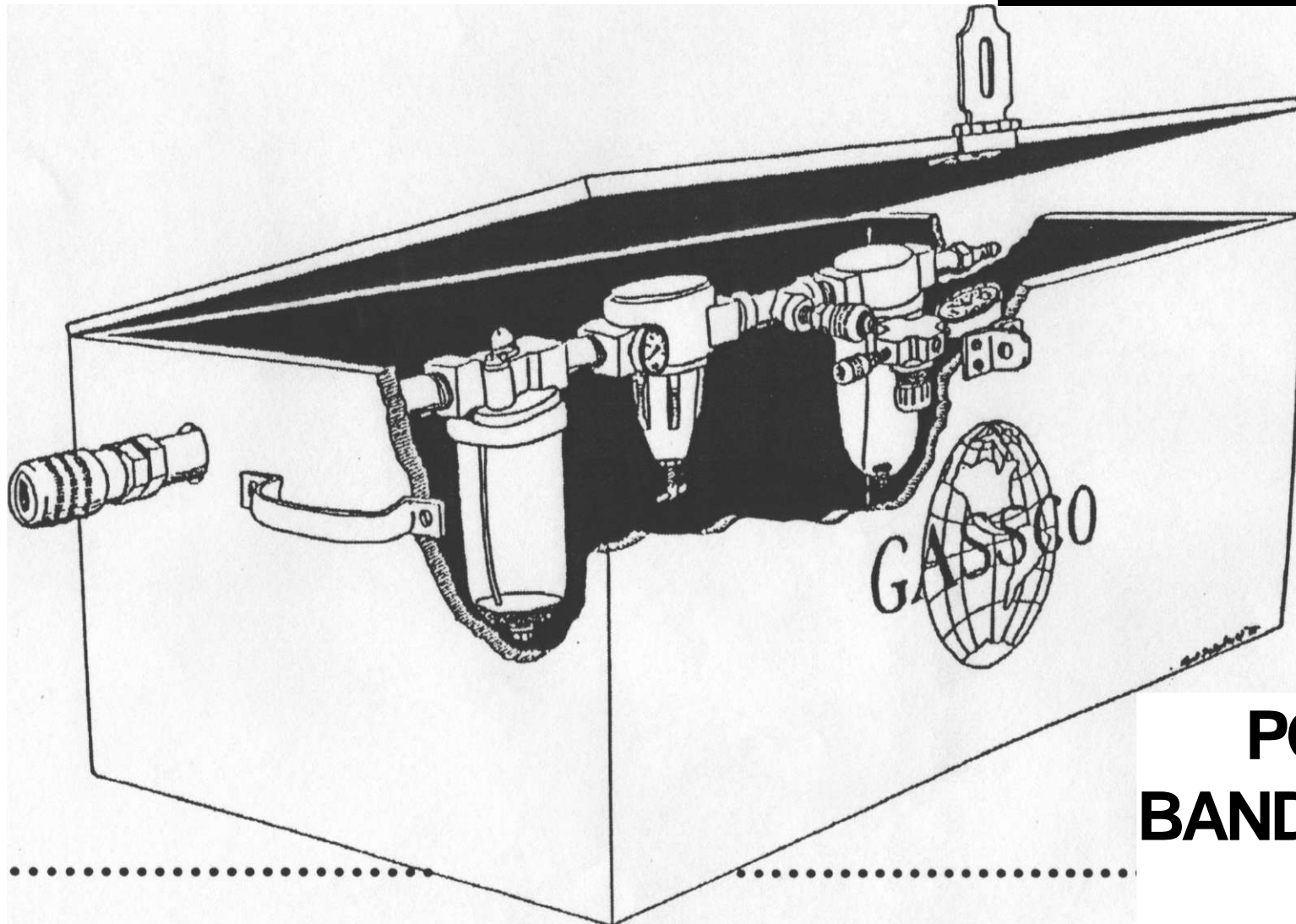


**Part No. F - 410**



## **PORTABLE BANDING BOX**

### ***Complete and Ready to Use.***

Field banding box is completely furnished to handle most any banding situation. Comes complete with filter, automatic banding tool oiler, regulator assembly and hoses. Just add banding tools and air.